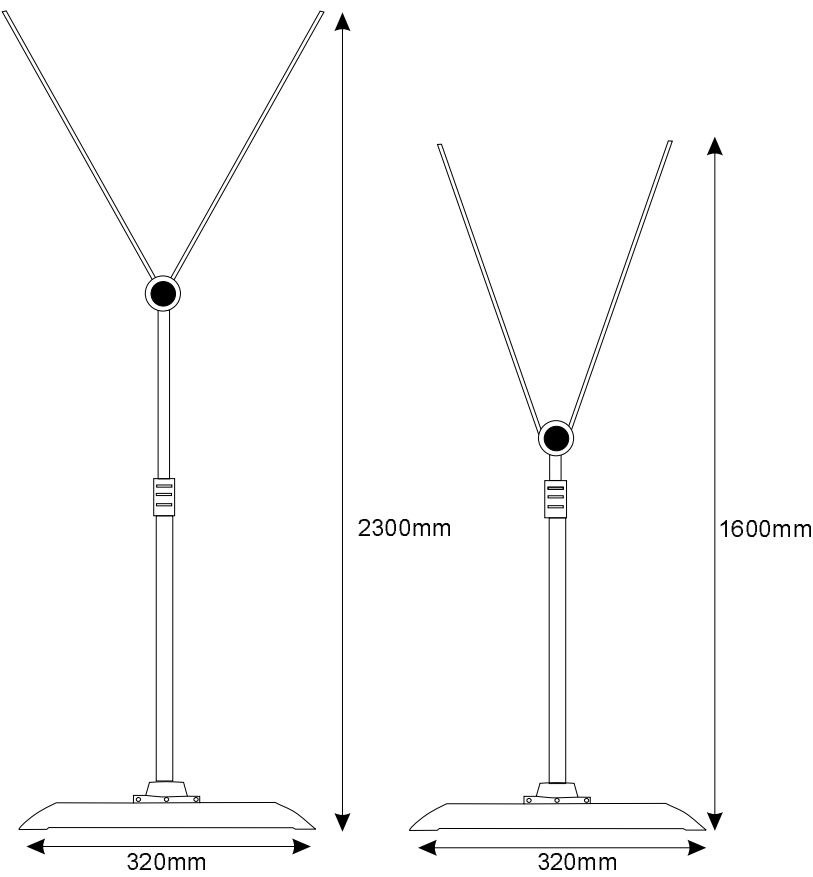
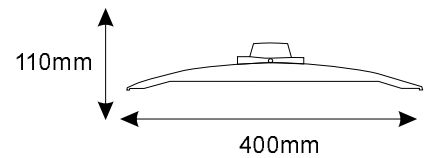
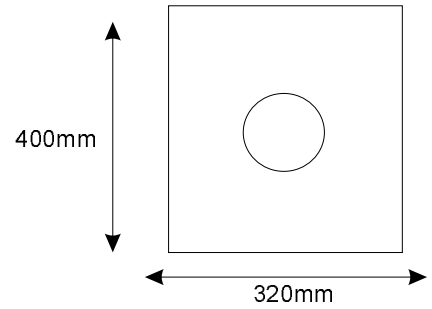


Y-BAND

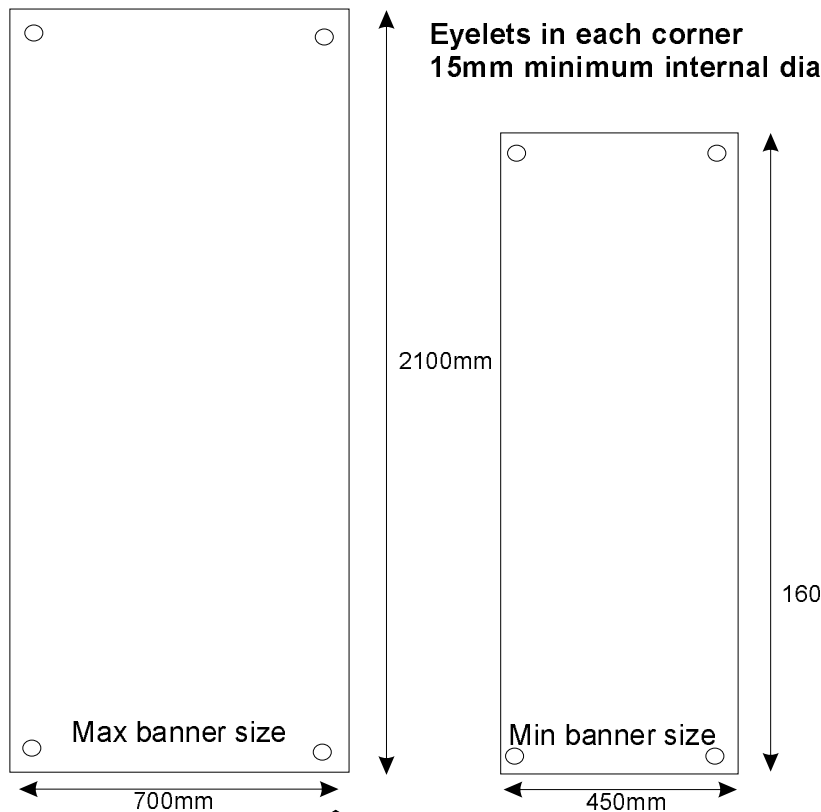
Indoor Specifications



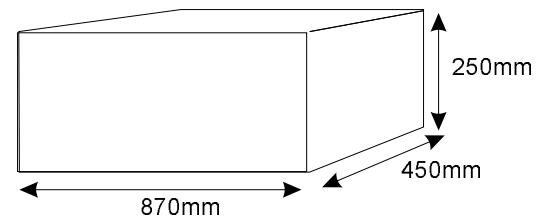
Adjustable width and height



Base dimension



Graphic size



Carton

- Suitable for eyeleted PVC banners or any material that will take eyelets.
- Edges do not need to be turned but hem at top and bottom of your banner will strengthen eyelets
- Center hole in eyelets needs a minimum dia of 15mm

EXPOLITE

With so many different substrates on the market any advice given on materials is for guidance only. The compatibility of substrates with expolite hardware must be determined by the purchaser.